

M62364FP

8-BIT 8-CH MULTIPLYING D-A CONVERTER WITH BUFFER AMPLIFIERS

GENERAL DESCRIPTION

The M62364FP is a CMOS 8-bit, 8-ch D/A converter having a multiplying function and output buffer amplifiers. It has a serial data input and can easily communicate with a microcontroller by the simple three-wiring method (DI, CLK, LD).

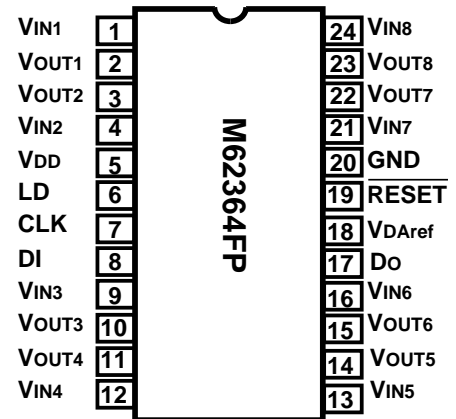
The output buffer amplifiers operating in AB-class has both sinking and driving capabilities of 1.0mA or more and can operate in a whole supply range from V_{DD} to GND.

The IC is suitable for a use in automatic adjustment applications in conjunction with a MCU by utilizing the terminal Do for a cascading connection.

FEATURES

- Three-wiring serial data transmission
- Doubled precision 8-ch D/A converter employing an R-2R with higher-order segment method
- 8 buffer amplifiers operating in a whole supply voltage range from V_{DD} to GND
- 4-quadrant multiplication

PIN CONFIGURATION (TOP VIEW)

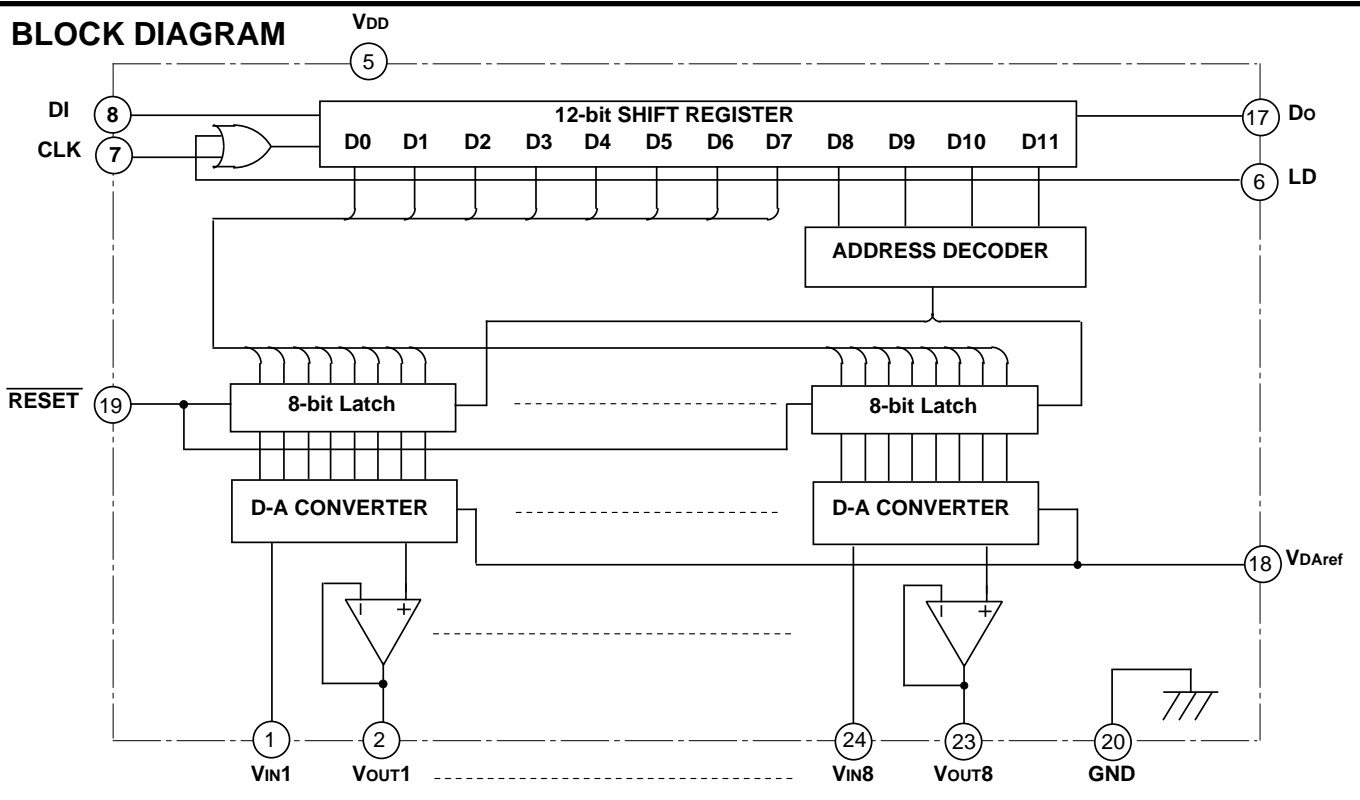


Outline 24P2Q (FP)

APPLICATION

Digital to analog conversion for consumer and industrial equipment.
Gain setting and automatic adjustment of display-monitor and CTV.

BLOCK DIAGRAM



M62364FP

8-BIT 8-CH MULTIPLYING D-A CONVERTER WITH BUFFER AMPLIFIERS

EXPLANATION OF TERMINALS

PIN No.	Symbol	Function
⑧	DI	Serial data input
⑰	Do	Serial data output
⑦	CLK	Shift clock input. Input data of DI are taken into the 12-bit shift register on a rising edge of the clock.
⑥	LD	A low state enables data loading to the 12-bit shift register. During a rising edge of LD, the data will be loaded to the output register.
⑲	$\overline{\text{RESET}}$	Reset 8-bit latches
②	VOUT1	D/A Converter Output with 8-bit resolution
③	VOUT2	
⑩	VOUT3	
⑪	VOUT4	
⑭	VOUT5	
⑮	VOUT6	
⑳	VOUT7	
㉓	VOUT8	
⑤	VDD	Power Supply
⑳	GND	Ground
①	VIN1	D/A Converter Input
④	VIN2	
⑨	VIN3	
⑫	VIN4	
⑬	VIN5	
⑯	VIN6	
㉑	VIN7	
㉔	VIN8	
⑱	VDaref	D-A Converter Reference Voltage Input

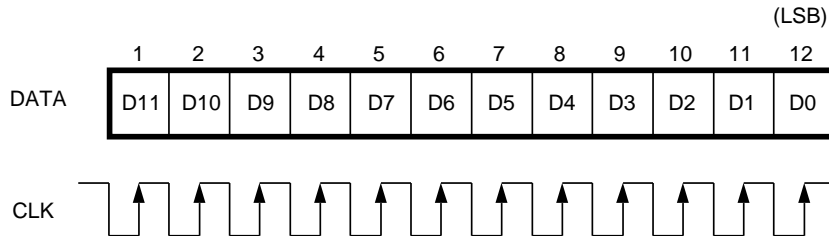


M62364FP

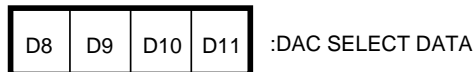
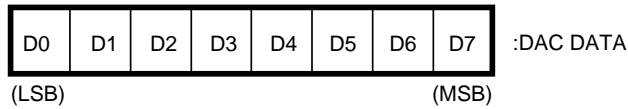
8-BIT 8-CH MULTIPLYING D-A CONVERTER WITH BUFFER AMPLIFIERS

DIGITAL FORMAT

•12BIT SERIAL DATA



•DATA ASSIGNMENT



Dac Select Data

D8	D9	D10	D11	Dac Selection
0	0	0	0	Don't Care
0	0	0	1	Vout1 Selection
0	0	1	0	Vout2 Selection
0	0	1	1	Vout3 Selection
0	1	0	0	Vout4 Selection
0	1	0	1	Vout5 Selection
0	1	1	0	Vout6 Selection
0	1	1	1	Vout7 Selection
1	0	0	0	Vout8 Selection
1	0	0	1	Don't Care
1	0	1	0	Don't Care
1	0	1	1	Don't Care
1	1	0	0	Don't Care
1	1	0	1	Don't Care
1	1	1	0	Don't Care
1	1	1	1	Don't Care

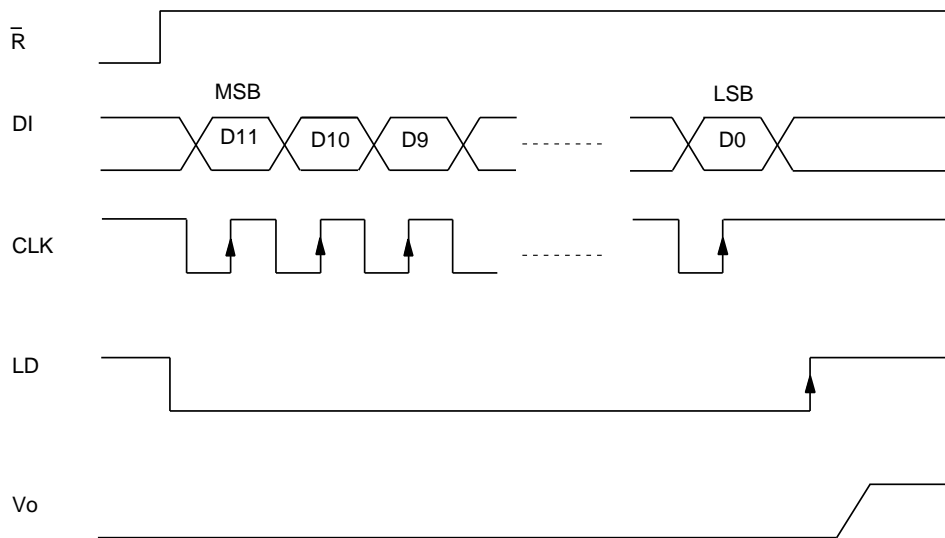
M62364FP

8-BIT 8-CH MULTIPLYING D-A CONVERTER WITH BUFFER AMPLIFIERS

•Digital Data Format

D0	D1	D2	D3	D4	D5	D6	D7	DAC OUTPUT
0	0	0	0	0	0	0	0	V_{Dref}
1	0	0	0	0	0	0	0	$(V_{IN}-V_{Dref})/256 \times 1 + V_{Dref}$
0	1	0	0	0	0	0	0	$(V_{IN}-V_{Dref})/256 \times 2 + V_{Dref}$
1	1	0	0	0	0	0	0	$(V_{IN}-V_{Dref})/256 \times 3 + V_{Dref}$
⋮	⋮	⋮	⋮	⋮	⋮	⋮	⋮	⋮
1	1	1	1	1	1	1	1	$(V_{IN}-V_{Dref})/256 \times 255 + V_{Dref}$

TIMING CHART



* Input data carried out LD signal Low besides CLK signal positive edge.
CLK,LD is keep generally HIGH level.



M62364FP

8-BIT 8-CH MULTIPLYING D-A CONVERTER WITH BUFFER AMPLIFIERS

ABSOLUTE MAXIMUM RATING

SYMBOL	PARAMETER	MEASUREMENT CONDITION	RATINGS	UNIT
V _{DD}	Supply Voltage		-0.3 ~ +7.0	V
V _{IND}	Digital Input Voltage		-0.3 ~ +7.0	V
V _{IN}	Analog Input Voltage		-0.3 ~ V _{DD} +0.3	V
V _{OUT}	Analog Output Voltage		-0.3 ~ V _{DD} +0.3	V
V _{D_{Aref}}	D-A Reference Voltage		-0.3 ~ V _{DD} +0.3	V
T _{opr}	Operating Temperature		-20 ~ +75	°C
T _{stg}	Storage Temperature		-40 ~ +125	°C

ELECTRICAL CHARACTERISTICS

<Ana/Dig Common Part> (V_{DD}=5V±10%, V_{DD} V_{IN}, GND, V_{D_{Aref}}=0V, T_a=-20~85°C unless otherwise noted)

SYMBOL	PARAMETER	MEASUREMENT CONDITION	LIMIT			UNIT
			MIN	TYP	MAX	
V _{DD}	Supply Voltage		2.7	3.0	3.6	V
I _{DD}	Supply Current	CLK=1MHz, V _{CC} =3V, I _{AO} =0μA			3.5	mA

<Digital Part> (V_{DD}=5V±10%, V_{DD} V_{IN}, GND, V_{D_{Aref}}=0V, T_a=-20~85°C unless otherwise noted)

SYMBOL	PARAMETER	MEASUREMENT CONDITION	LIMIT			UNIT
			MIN	TYP	MAX	
I _{ILK}	Input Leak Current	V _{IN} =0 ~ V _{DD}	-10		10	μA
I _{IL}	Digital Input "Low" Voltage				0.2V _{DD}	V
I _{IH}	Digital Input "High" Voltage		0.8V _{DD}			V
V _{OL}	Do Terminal Output "Low" Voltage	I _{OL} =2.5mA			0.4	V
V _{OH}	Do Terminal Output "High" Voltage	I _{OH} =-400μA	V _{DD} -0.4			V

<Analog Part> (V_{DD}=5V±10%, V_{DD} V_{IN}, GND, V_{D_{Aref}}=0V, T_a=-20~85°C unless otherwise noted)

SYMBOL	PARAMETER	MEASUREMENT CONDITION	LIMIT			UNIT
			MIN	TYP	MAX	
I _{IN}	Input Current	V _{IN} =3V, V _{D_{Aref}} =0V, *Proportional to max. input current condition(V _{IN} -V _{D_{Aref}}) and digital data of each channels.			0.18	mA
I _{D_{Aref}}	D-A Reference Input Current	V _{IN} =3V, V _{D_{Aref}} =0V, *Proportional to max. input current condition(V _{IN} -V _{D_{Aref}}) and digital data of each channels.	-1.44			mA
RES	Resolution	V _{DD} =2.61V, V _{D_{Aref}} =0.050V(10mV/1LSB)		8		bit
DNL	Differential Nonlinearity	Without load(I _{AO} =±0)	-1		1	LSB
NL	Nonlinearity		-1.5		1.5	LSB
V _{AO}	Buffer Amplifier Output Voltage Range	I _{AO} =±100μA I _{AO} =±500μA	0.1 0.2		V _{CC} -0.1 V _{CC} -0.2	V
I _{AO}	Buffer Amplifier Output Current Range	Upper Saturation Voltage=0.4V Lower Saturation Voltage=0.4V	-1		1	mA
C _O	Output Capacitive Load				0.1	μF
R _O	Buffer Amplifier Output Impedance			5		



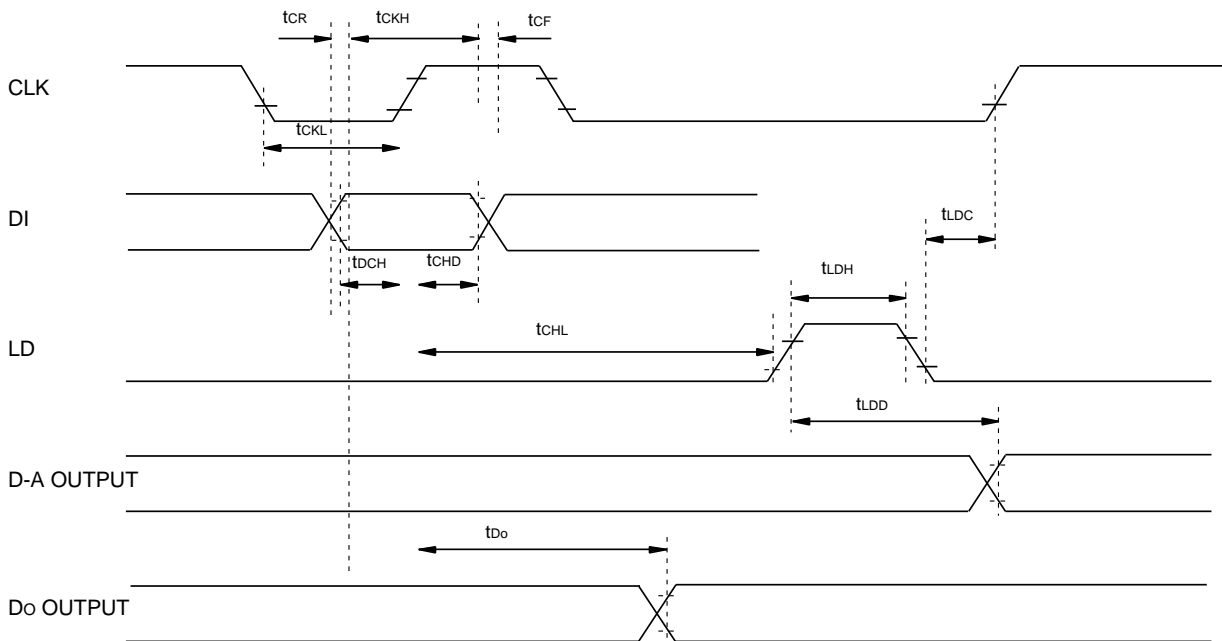
M62364FP

8-BIT 8-CH MULTIPLYING D-A CONVERTER WITH BUFFER AMPLIFIERS

<AC Characteristics> ($V_{DD}=5V\pm 10\%$, $V_{DD} \ V_{IN}, GND, V_{Dref}=0V, T_a=-20\sim 85^\circ C$, unless otherwise noted)

SYMBOL	PARAMETER	MEASUREMENT CONDITION	LIMIT			UNIT
			MIN	TYP	MAX	
t _{CKL}	Clock "L" Pulse Width		200			nS
t _{CKH}	Clock "H" Pulse Width		200			nS
t _{CR}	Clock Rise Time				200	nS
t _{CF}	Clock Fall Time					nS
t _{DCH}	Data Set Up Time		60			nS
t _{CHD}	Data Hold Time		100			nS
t _{CHL}	LD Set Up Time		200			nS
t _{LDC}	LD Hold Time		100			nS
t _{LDH}	LD "H" Pulse Duration Time		100			nS
t _{Do}	Data Output Delay Time	CL=100pF	70		350	nS
t _{LDD}	D-A Output Setting Time	CL 100pF, V _{AO} :0.1<=>2.6V This Time Until The Output Becomes The final Value Of 1/2 LSB			300	μS

TIMING CHART



⚠ Mitsubishi Electric Corporation puts the maximum effort into making semiconductor products better and more reliable, but there is always the possibility that trouble may occur with them. Trouble with semiconductors may lead to personal injury, fire or property damage. Remember to give due consideration to safety when making your circuit design, in order to prevent fires from spreading, redundancy, malfunction or other mishap.

